

# GO-5

The **QImaging® Go-5** color CMOS camera is designed for documentation and archiving in clinical, pathology, life science, material science, and industrial applications where high resolution, high bit depth, and high speed are required. The Go-5 features a 5-megapixel sensor, a 12-bit digitizer, and a full-resolution frame rate of 7fps to bring superior CMOS imaging capabilities to the market. The camera's USB 2.0 interface provides convenience and simple plug-and-play installation via a single cable.

## camera models

*Includes: USB 2.0 cable, QCapture Suite software, QCapture Pro software, and access to SDK*

- **Color Go-5**  
Model: GO-5-CLR-12

## camera options

- Extended Warranty

## High-Resolution USB 2.0 Digital Color Camera



### features

### benefits

High-Resolution Imaging	<ul style="list-style-type: none"> <li>■ User selectable to provide full ability to match optics to camera resolution</li> </ul>
High-Speed Readout	<ul style="list-style-type: none"> <li>■ Previewing &amp; focusing in real time</li> <li>■ 60fps with 640 x 480 resolution</li> <li>■ 7fps full resolution</li> <li>■ Ideal for high-resolution, high-speed imaging</li> </ul>
Low-Noise Electronics	<ul style="list-style-type: none"> <li>■ Enhanced color accuracy and detail</li> </ul>
Flexible Exposure Control	<ul style="list-style-type: none"> <li>■ Optimal integration over a wide range of light levels</li> </ul>
ROI (Region of Interest)	<ul style="list-style-type: none"> <li>■ Higher frame rates for previewing &amp; focusing</li> </ul>
USB 2.0 Connection	<ul style="list-style-type: none"> <li>■ Simple connectivity</li> <li>■ Ease of use and installation</li> <li>■ Portability with laptop computer</li> <li>■ Single-cable operation (no external control unit or framegrabber)</li> </ul>
Extensive Application Software Support	<ul style="list-style-type: none"> <li>■ Choose from a large selection of life science &amp; industrial software for microscopy, machine vision, &amp; video-streaming functions</li> </ul>

# GO-5 Specifications

## CMOS sensor

Light-Sensitive Pixels	2592 x 1944
ROI (Region of Interest)	User selectable
Exposure/Integration Control	1ms to 3sec
Sensor Type	CMOS, color sensor
Pixel Size	2.2µm x 2.2µm
Linear Full Well	~ 8300e-
Read Noise	2.6e- RMS
Shutter	Rolling shutter with single-frame capture
Digital Output	8 or 12 bits (24- or 30-bit color)
Readout Frequency	48MHz
Frame Rate	7fps full resolution @ 12 bits; 60fps @ 640 x 480 resolution

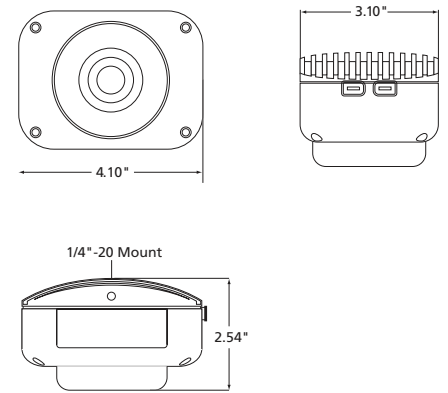
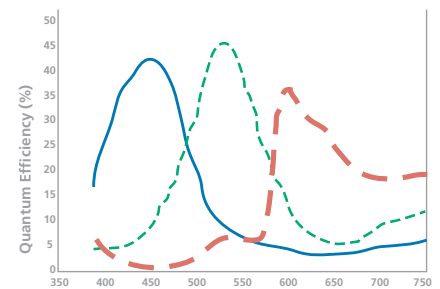
## camera

Computer Platforms/ Operating Systems	Windows®
Digital Interface	USB 2.0
Trigger Types	Internal, Software
Normal Gain Control	1 to 10
Optical Interface	1/2", C-mount optical format
Threadmount	1/4" – 20 mount
Power Requirements	2.5W; 5VDC
Weight	300kg (0.67lbs)
Warranty	2 years
Operating Environment	0 to 50°C; 95% relative humidity non-condensing
Storage Temperature	-20 to 60°C

## applications

- Pathology
- Image archiving for clinical, life science, and material science
- Industrial Imaging
- Brightfield
- Still-image animation

## spectral response



Tel 604.530.5800 ▪ Fax 604.539.1825 ▪ info@qimaging.com  
[www.qimaging.com](http://www.qimaging.com)



\*Refer to Qimaging website for detailed listing of supported operating systems.  
 Note: Specifications are typical and subject to change.

Go is a trademark of Qimaging Corporation.  
 Qimaging is a registered trademark of Qimaging Corporation.  
 Other brand and product names are the trademarks or registered trademarks of their respective owners and manufacturers.